

# Aboveground tanks

## double-skinned

### Specification:

- Design according to: EN 12285-2 class A or B or according to DIN6616
- Technical documentation approved by Notified body
- Basic material – S235JR according to EN10025-1

### Purpose:

Storage of flammable and non-flammable, materials harmful to the environment with a density to 1,1 kg/dm<sup>3</sup> for EN 12285 class A and to 1,9 kg/dm<sup>3</sup> for tanks EN 12285 class B and DIN6616.

### Tank characteristics:

- Single or multi-chamber tank
- Working pressure: max 0,5 bar
- Working temperature: from -20°C to +50°C

### Tightness:

Pressure test of both inner tank and interspace according to the norm:

EN 12285-2	class A	0,3 bar/0,4 bar
EN 12285-2	class B	2,0 bar/0,6 bar
DIN 6616	–	2,0 bar/0,6 bar

### Outer surface:

Abrasive grit-blasted to grade Sa 2,5 according to PN-ISO 8501-1 and painted in C3 standard or higher.

### Standard Equipment:

Manhole DN600 with gasket • Steel supports for EN-tanks: 1,9 N/mm<sup>2</sup>, for DIN 6616-tanks 0,15 N/mm<sup>2</sup> • transport grips • ladder, platform, railing • Filling pipe, suction pipe, venting pipe

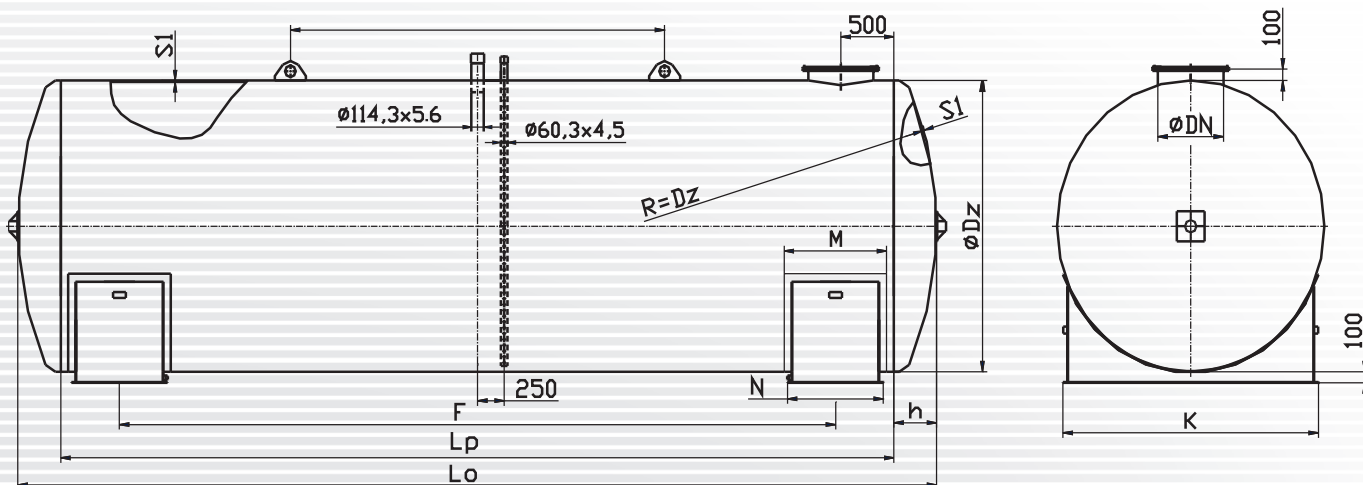
### Optional Equipment:

- Overfill valve, venting valve, de-watering pipe
- System and control pipes
- Contents measuring

### Safety:

Double skinned above ground steel tanks meet all the requirements for the storage of liquids harmful to groundwater and environment. The space between the internal and external wall is monitored.





## Measures & weights (ca.)

Volume	Diameter	Length of shell	Length	Depth of dished-ends (2 pcs)	Manhole	Weight		Supports						Wall thickness				Lifting lugs	Strength. ring
						class A	class B	class A			class B			class A		class B			
V	Dz	Lp	Lo	h	DN	G	G	F	N	K	F	N	K	S1	S2	S1	S2	szt.	szt.
[m <sup>3</sup> ]	[mm]	[mm]	[mm]	[mm]	[mm]	[kg]	[kg]	[mm]	[mm]	[mm]	[mm]	[mm]	[mm]	[mm]	[mm]	[mm]	[mm]		
3	1600	1500	2040	270		946	1020	700			950							2	-
5	1600	2500	3040	270		1266	1340	1700			1950							2	-
7	1600	3300	3840	270	600	1518	1590	2500	150	1600	2750	350						2	-
10	1600	5000	5540	270		2051	2126	4200			4450							2	-
13	1600	6500	7040	270		2513	2592	5700			5950							2	-
16	1600	8000	8540	270		2993	3069	7200			7450			5	3	5	3	2	1
10	2000	3000	3660	330		2143	2335	2000			2200							2	1
13	2000	4000	4660	330		2588	2780	3000			3200							2	-
16	2000	5000	5660	330		3044	3237	4000			4200							2	-
20	2000	6150	6810	330	600	3567	3761	5150	200	2000	5350	600						2	-
25	2000	8000	8660	330		4394	4588	7000			7200							2	-
30	2000	9500	10160	330		5133	5328	8500			8700							2	1
36	2000	11300	11960	330		5943	6138	10300			10500			6	3	6	3	2	1
20	2500	4000	4800	400		3838	4653	2750			2850							2	-
25	2500	5000	5800	400		4456	5335	3750			3850							2	-
30	2500	6000	6800	400		5068	6010	4750			4850							2	1
40	2500	8000	8800	400	600	6373	7442	6750	250	2500	6850	950						2	1
50	2500	10000	10800	400		7599	8796	8750			8850							2	1
60	2500	12000	12800	400		8915	10239	10750			10850							4	2
70	2500	14000	14800	400		10136	11586	12750			12850			6	4/5	7	4/5	4	2
40	2900	6000	6900	450		6722	9016	4550			4450							2	1
50	2900	7500	8400	450		7990	10504	6050			5950							2	1
60	2900	9000	9900	450	600	9175	11909	7550	300	2900	7450	1350						2	1
70	2900	10500	11400	450		10347	13301	9050			8950							4	2
80	2900	12000	12900	450		11612	14786	10550			10450							4	2
100	2900	15000	15900	450		13974	17588	13550			13450			7	4/5	9	4/5	4	2

