

Underground double-skinned tanks

Outer surface:

Abrasive grit-blasted to grade Sa 2,5 according to PN-ISO 8501-1 and external anticorrosion Polyurethane coating puncture tested at 10 kV/14 kV

Optional equipment:

- Street covers in class C 250 kN and D 400 KN
- Steel sumps
- Central filling points – Aluminium and Stainless steel
- Galvanized anchoring bands
- Leak detection systems GOK, Afriso, SGB
- Monitoring systems OPW and others

Technical data:

- Design norms: EN 12285-1 class A or class B, DIN 6608
- Technical documentation approved by Notified body
- Material – S235JR according to EN10025-1 or stainless steel
- Single or multi-chamber tank
- Working pressure: max 0,5 bar
- Working temperature: from -20°C to + 50°C

Purpose:

Storage of flammable and non-flammable, liquids harmful to the environment with a density up to 1,1 kg/dm³ for EN 12285 class A and to 1,9 kg/dm³ for tanks EN 12285 class B and DIN 6608.

Tightness:

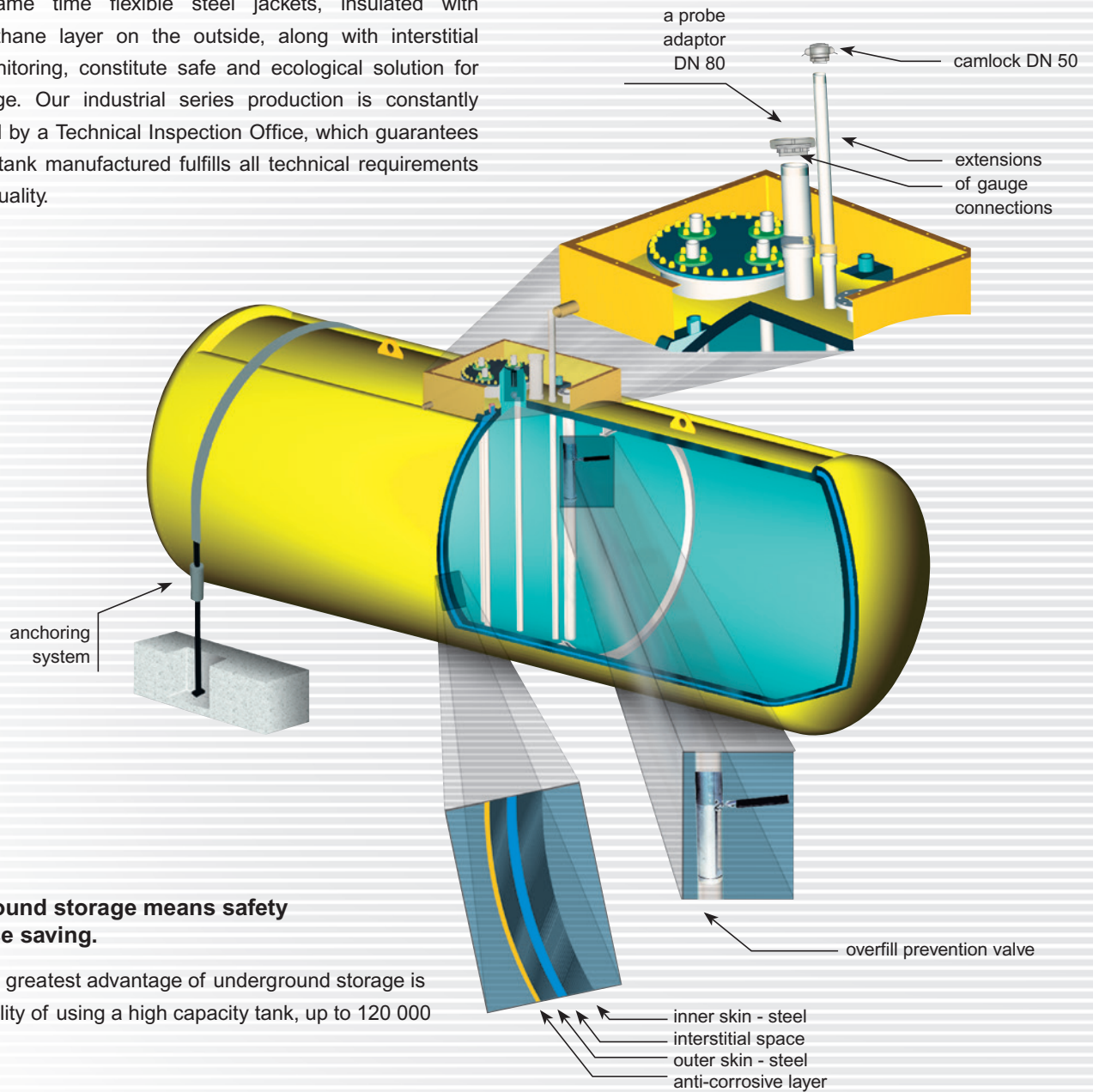
Pressure test of both inner tank and interspace according to the norm:

EN 12285-1	class A	0,3 bar/0,4 bar
EN 12285-1	class B	2,0 bar/0,6 bar
DIN 6608	–	2,0 bar/0,6 bar



Tank on Speed Chassis

Underground double-skinned steel tanks meet the norms for storage of inflammable and hazardous liquids. For years they have met all the requirements established by European countries regarding environmentally harmful liquid storage. Two solid and at the same time flexible steel jackets, insulated with a Polyurethane layer on the outside, along with interstitial space monitoring, constitute safe and ecological solution for fuel storage. Our industrial series production is constantly supervised by a Technical Inspection Office, which guarantees that each tank manufactured fulfills all technical requirements and high quality.



Underground storage means safety and space saving.

One of the greatest advantage of underground storage is the possibility of using a high capacity tank, up to 120 000 litres.

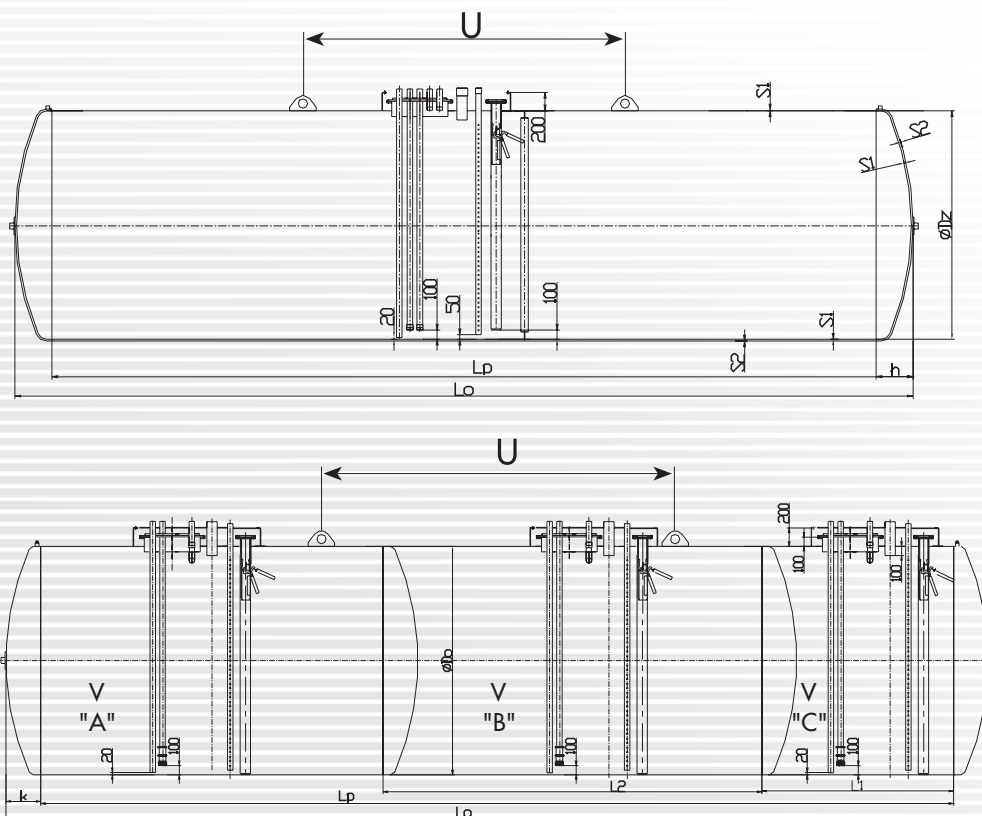
Standard tank equipment:

Depending on the client's requirements, a tank is equipped with:

- a filling pipe with an overfill prevention valve
- suction pipes
- drain pipe for pumping out the water from the bottom of the tank
- gauge pipe for measuring the level with a dipstick
- manual gauge connection
- automatic gauge connection (for a measuring probe)
- vent connection
- spare connection
- VRS connection

Underground double-skinned tanks

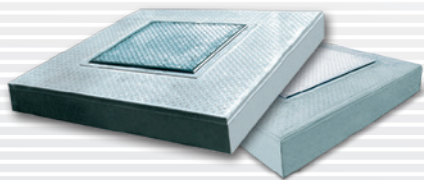
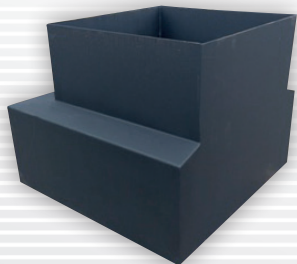

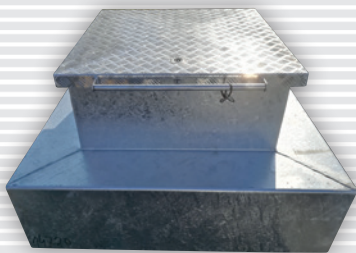
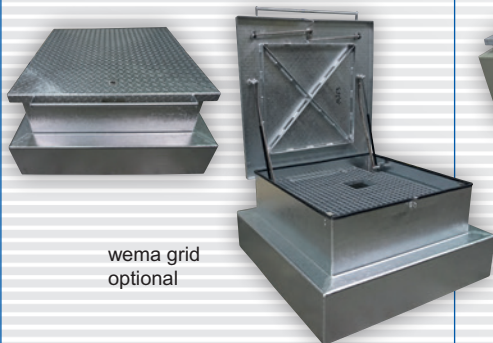
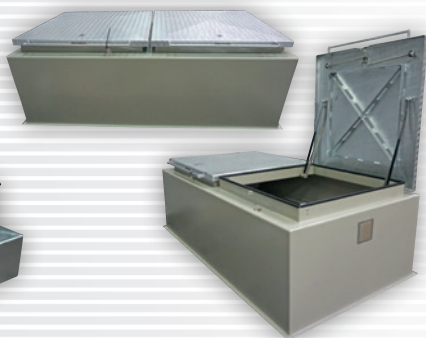

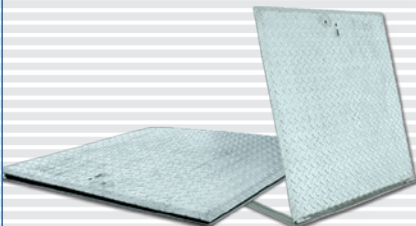

for storage of inflammable and hazardous liquids



Basic technical data

Volume	Diameter	Length	Weight*	Weight of additional chamber		Length of the cylinder	Height dished -ends	Manhole	Wall thickness				Handle	Inside ring
				class A	class B				class A		class B			
V	Dz	Lo	Lp			Lp	h	DN	S1	S2	S1	S2		T 80
[m ³]	[mm]	[mm]1	[kg]	[kg]	[kg]	[mm]	[mm]	[mm]	[mm]	[mm]	[mm]	[mm]	[pcs]	[pcs]
3	1600	2250	1050	351	351	1500	270						1	–
5	1600	3250	1350	351	351	2500	270						1	–
8	1600	4750	1800	351	351	4000	270	600	5	3	5	3	1	–
10	1600	5750	2150	351	351	5000	270						2	–
13	1600	7250	2600	351	351	6500	270						2	–
16	1600	8750	3050	351	351	8000	270						2	–
10	2000	3900	2150	522	522	3000	330							–
13	2000	4900	2600	522	522	4000	330							–
16	2000	5900	3050	522	522	5000	330							–
20	2000	6900	3450	522	522	6000	330	600	6	3	6	3	2	–
25	2000	8900	4350	522	522	8000	330							1
30	2000	10400	5050	522	522	9500	330							1
35	2000	11900	5700	522	522	11000	330							1
20	2500	5050	3950	730	818	4000	400							–
25	2500	6050	4600	730	818	5000	400							–
30	2500	7050	5250	730	818	6000	400							–
40	2500	9050	6650	730	818	8000	400	600	6	4/5	7	4/5	2	1
50	2500	11050	7950	730	818	10000	400							1
60	2500	13050	9350	730	818	12000	400							2
70	2500	15050	10650	730	818	14000	400							2
40	2900	7150	6850	1045	1279	6000	450						2	–
50	2900	8650	8150	1045	1279	7500	450						2	1
60	2900	10150	9400	1045	1279	9000	450						2	2
70	2900	11650	10650	1045	1279	10500	450	600	7	4/5	9	4/5	4	2
80	2900	13150	12000	1045	1279	12000	450						4	2
100	2900	16150	14500	1045	1279	15000	450						4	2
120	3000	17900	16900	1200	1470	17000	450						4	3

* Approximate weight of a tank with one compartment

<p>Water tight heavy-duty cover with a concrete frame</p>	<p>Heavy-duty sump QNA4 (for concrete covers) 1200 x 1200 mm</p>	<p>Sump QTA1 (for lawn areas) 1200 x 1200 mm</p>
		
<p>Steel sump 1200 x 1200 with aluminium cover 860 x 860 mm</p>	<p>Steel sump 1200 x 1200 mm with galvanized cover 1080 x 1080 mm</p>	<p>Steel sump 1200 x 2200 mm with galvanized covers 1080 x 1080 mm</p>
	 <p>wema grid optional</p>	
<p>Central filling point</p>	<p>Light cover located at the dispensers island</p>	<p>Anchoring band</p>
		
<p>Monitoring system - PetroVend (OPW)</p>	<p>Monitoring system GOK/Afriso</p>	<p>Monitoring system SGB</p>
